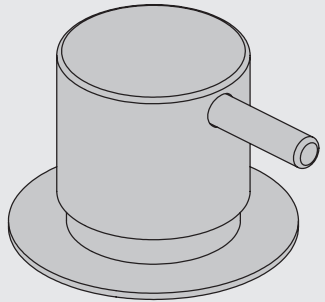


VOLA S50, S50D, S50DH  
 VOLA KV3, KV4, KV9, KV10, KV15  
 VOLA HV5, HV8, HV10  
 VOLA SC2, SC4, SC6, SC8, SC11, SC13

Fitting instruction  
 Montageanleitung  
 Monteringsvejledning  
 Monteringsvægledning  
 Montage hanleiding  
 Manuel de montage



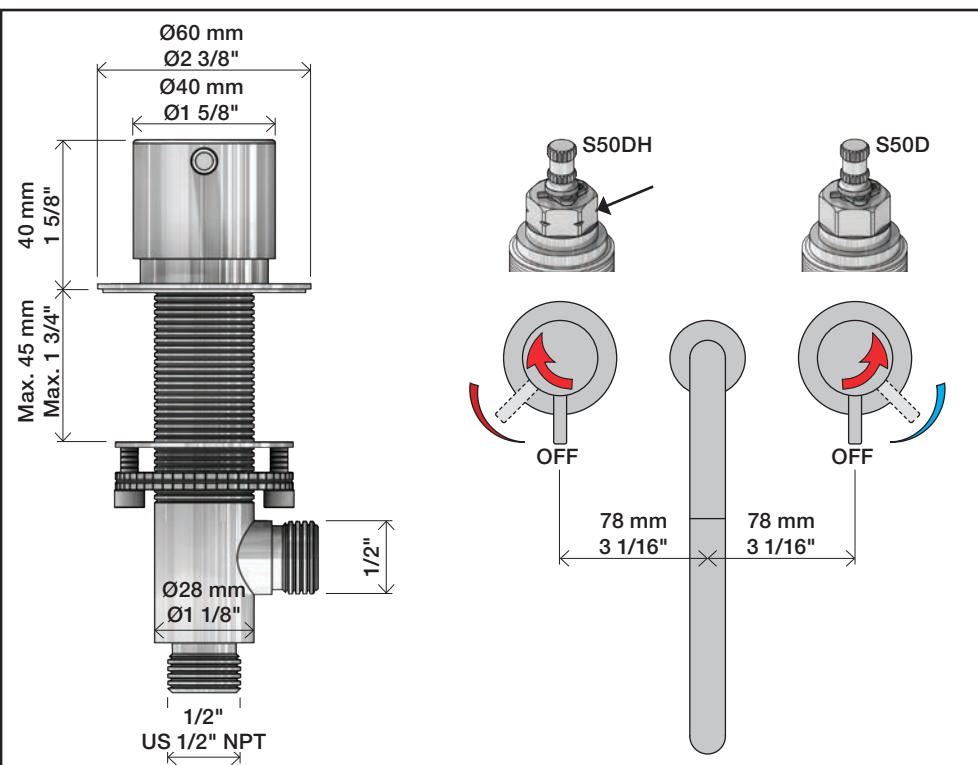
04/00115  
 04/00307  
 04/00340



www.vola.com

vola

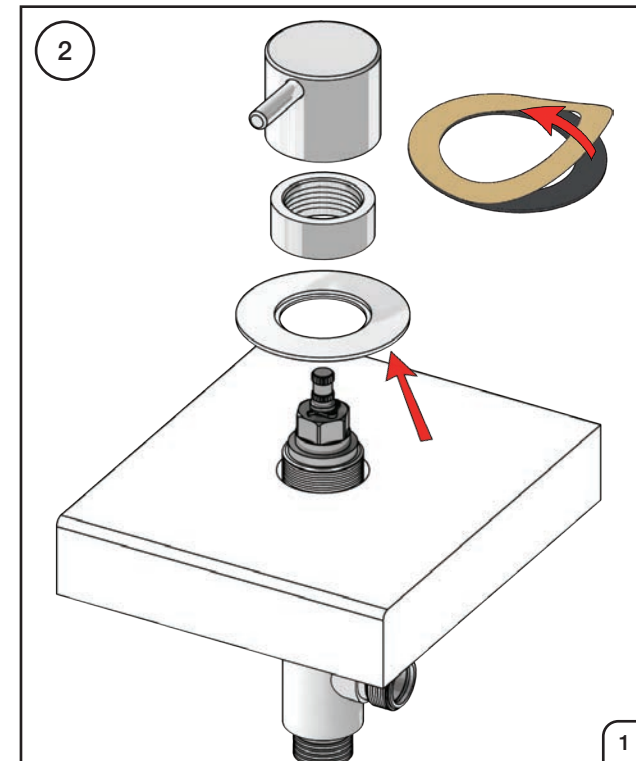
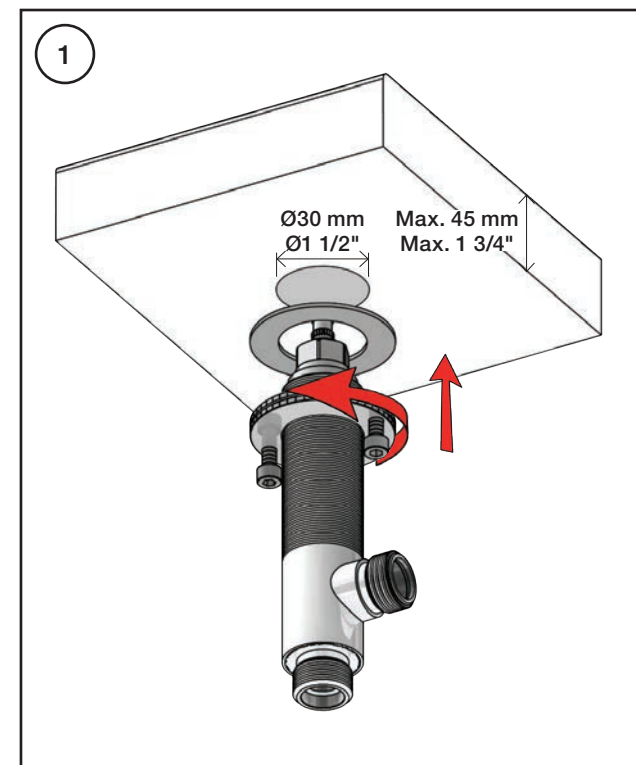
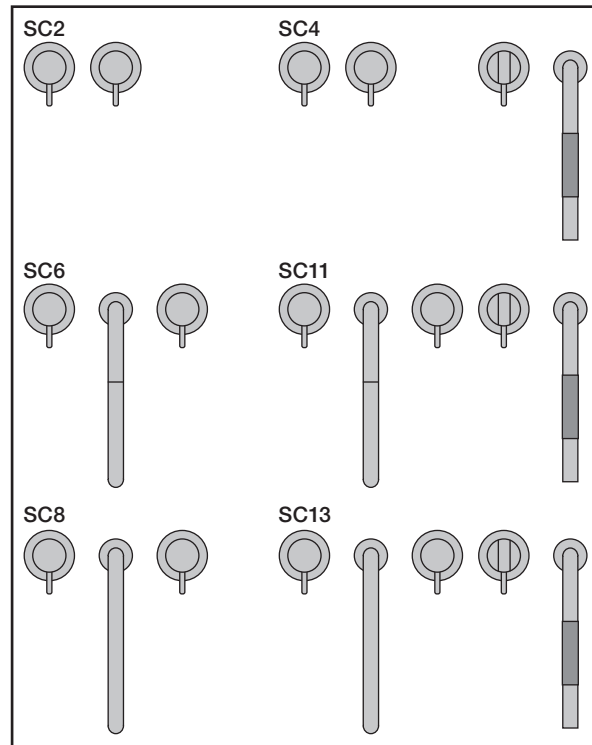
S50\_V9\_40999831  
 08-08-2024

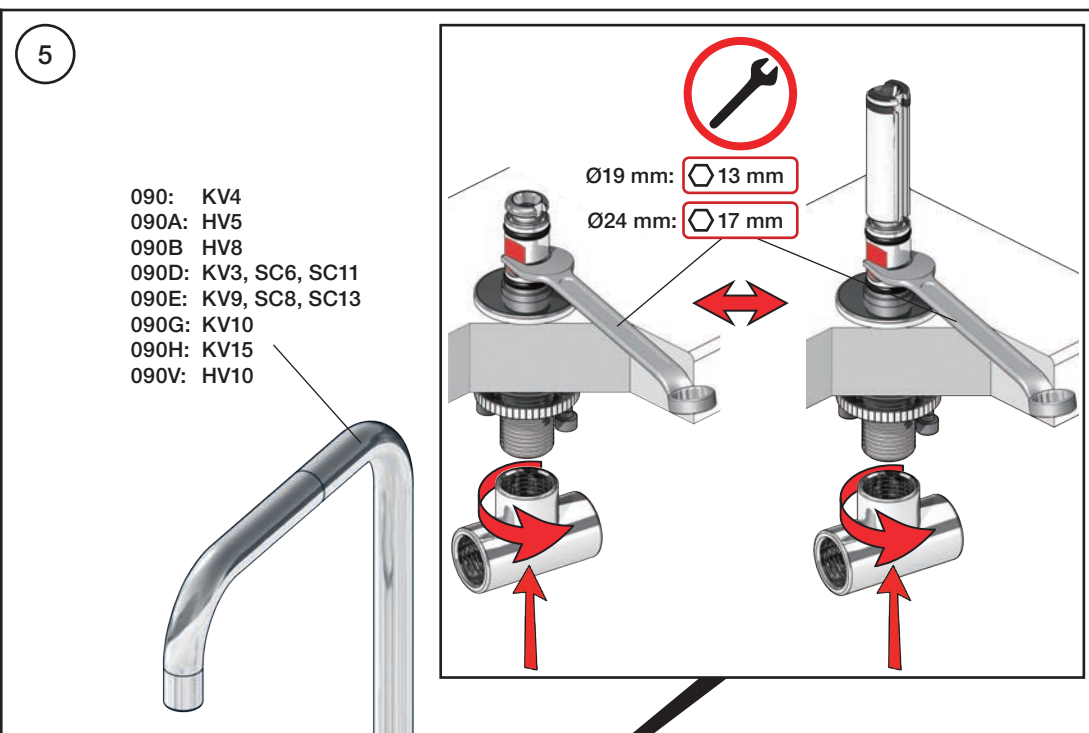
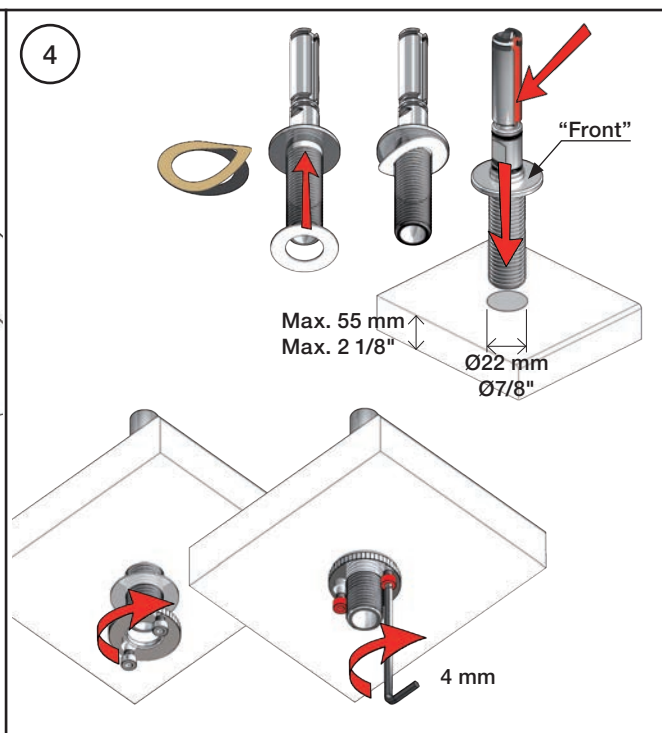
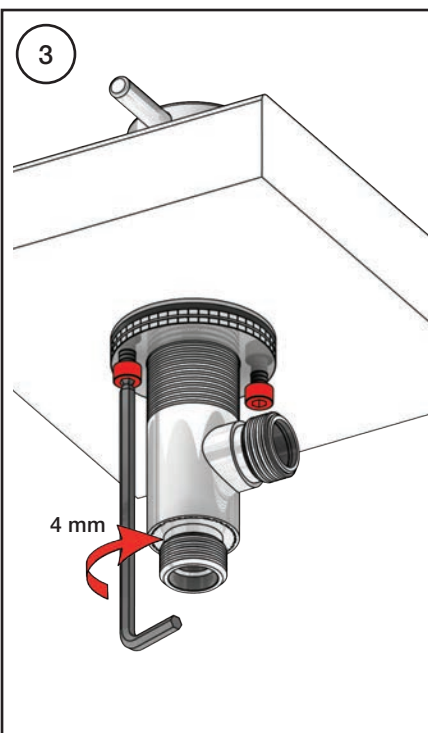


**Data, 3 Bar/43.5 Psi:**

	l/min.	Gal/min.
S50:	32,0	8.5
KV3:	30,0	7.9
KV4:	9,0	2.4
KV10, 15:	9,0	2.4
HV5, 8, 10:	9,0	2.4
SC2, 4 (A24):	16,0	4.2
SC6, 8, 11, 13: (C)	26,0	6.9

Max.  $65^\circ\text{C}$ ,  $150^\circ\text{F}$



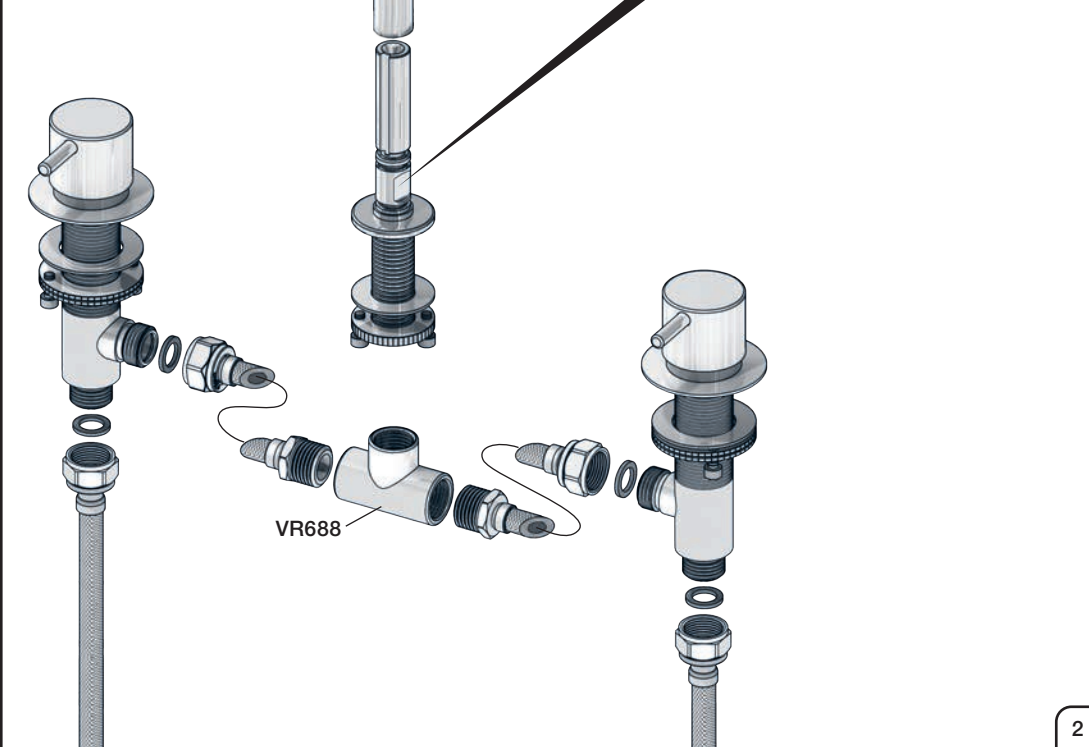
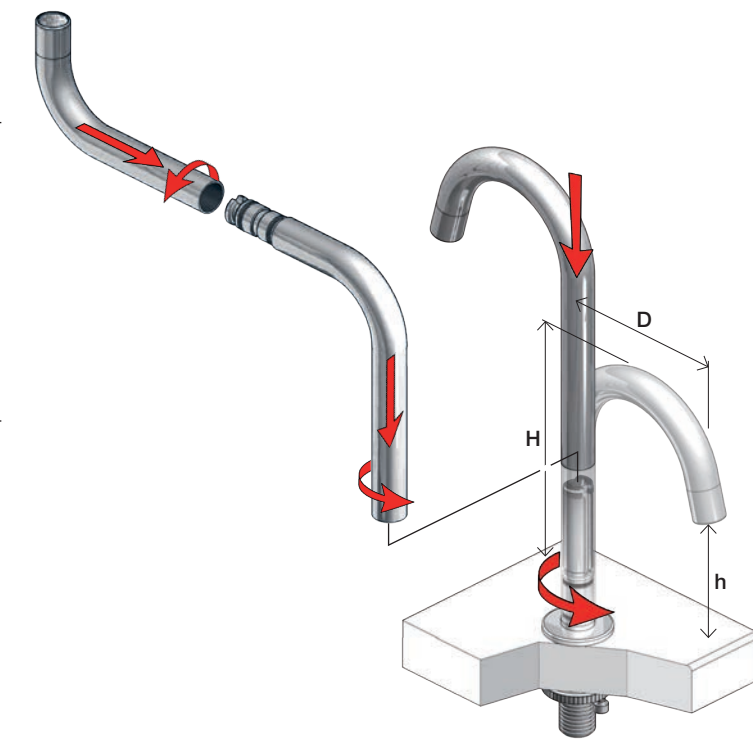


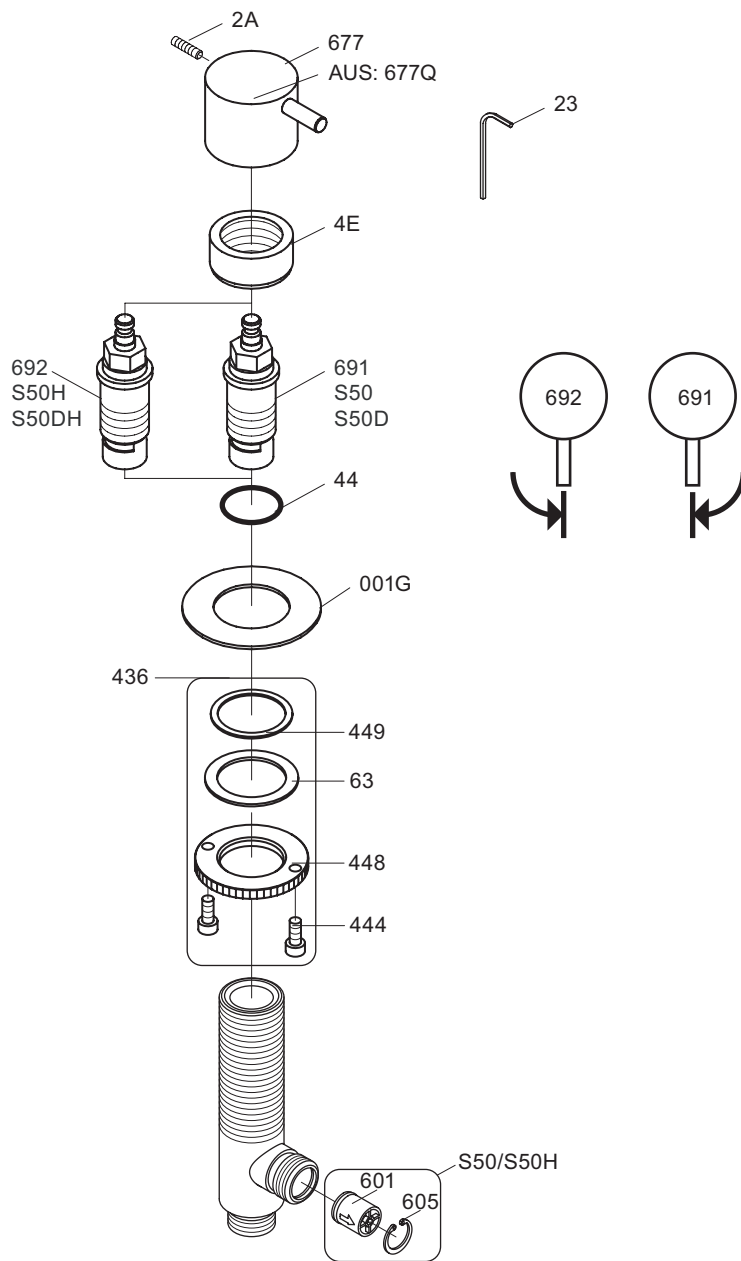
4A

mm:	H	D	h
090	210	200	145
090A	110	85	40
090B	185	100	114
090C	185	100	114
090D	220	200	130
090E	170	200	65
090G	185	140	105
090H	265	230	155
090I	325	230	216
090V	355	145	270

Inches:	H	D	h
090	8 1/2"	8"	5 3/4"
090A	4 1/4"	3 1/2"	1 1/2"
090B	7"	4"	4 1/2"
090C	7"	4"	4 1/2"
090D	8 3/4"	8"	5"
090E	6 3/4"	8"	2 1/2"
090G	7"	5 1/2"	4"
090H	10 1/2"	9"	6"
090I	12 3/4"	9"	8 1/2"
090V	14"	5 3/4"	10 1/2"





VR691i: VR23, VR44, VR691  
 VR692i: VR23, VR44, VR692  
 VR436: VR63, 2xVR444, VR448, VR449  
 NR.7: VR2A, VR23, VR677



**vola**  
 Lunavej 2  
 DK-8700 Horsens  
 Tlf : + 45 7023 5500  
 sales@vola.com  
 www.vola.com

**VOLA S50/S50H**  
**VOLA S50D/S50DH**

Date  
 Sep. 09

Rev.  
 2

Sheet  
 SB 31.3